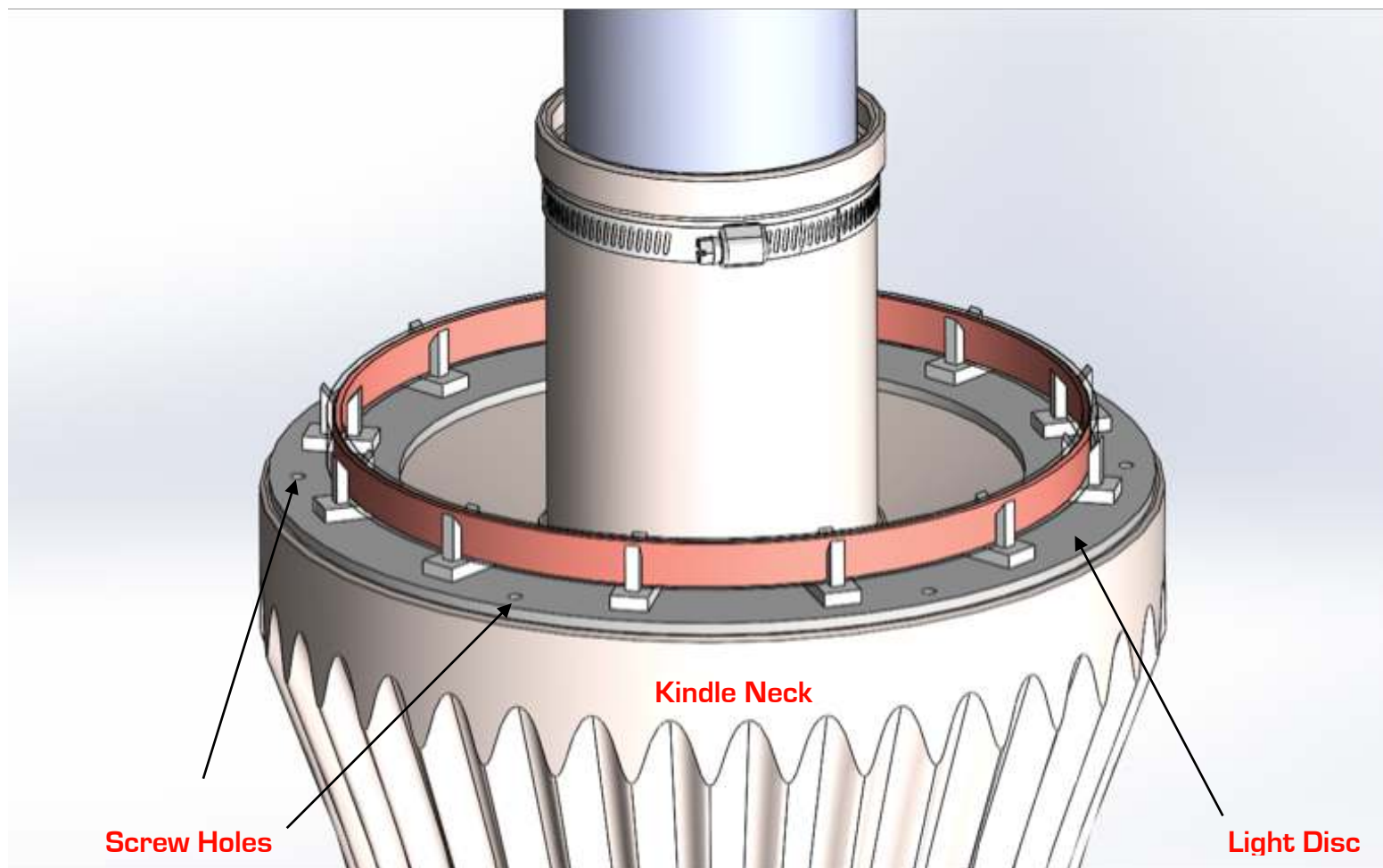
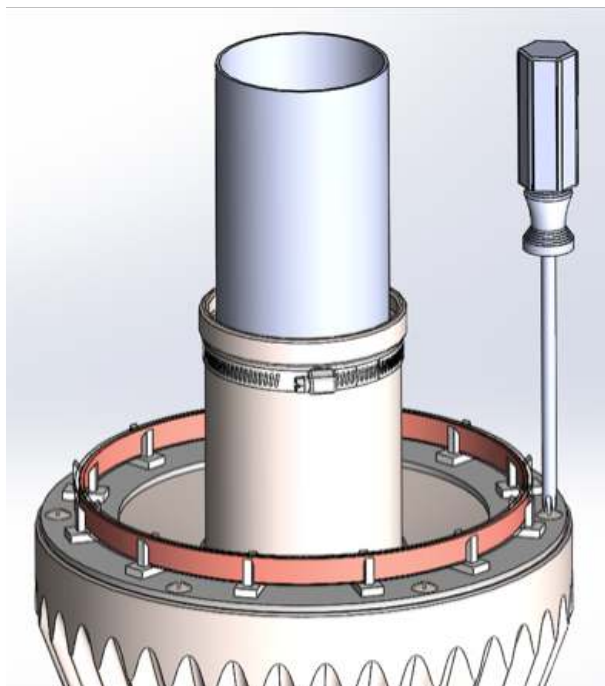


LIGHT RING INSTALLATION



- Line up the edge of the light disc with the edge of the Kindle neck's base. Alternating holes, screw the three provided screws into the Kindle neck's base. *Note: there are no screw holes; the screws go directly into the material of the Kindle neck.* Please be careful not to over tighten screws or you risk damaging the light ring.



- Place the Kindle base over the assembled heater's base. Lift the upper portion of the heater and place the post into the post socket of the base. Be careful not to damage the light ring during this step.
- Plug the rechargeable battery into the light ring and turn the switch to ON (I). Lights will last six to eight hours on a fully charged battery. *Your battery is fully charged upon arrival.*
- As an option, you can plug the battery's AC adapter/charger directly into the light ring and plug into a wall outlet (110v GFCI).

Attach fabric battery case to support hook as shown.



WARNING: Lithium-Ion Battery
Discontinue use of battery if you
notice any visible abnormalities or
changes to normal operation.